



# Solar Storage Battery



# Solar Storage Battery



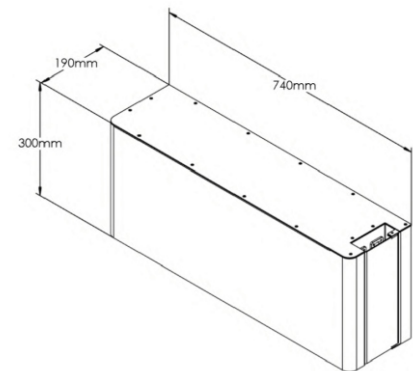
## Technical Specifications

Feston's lithium-ion energy storage solutions provide flexible charging options from either solar or the grid. They efficiently store solar energy, enabling nighttime use or serving as a backup during grid failures. Additionally, these solutions offer a reliable standalone power source for off-grid scenarios.

### Battery Specification

Battery chemistry	LiFePO <sub>4</sub>
Nominal voltage	48 VDC
Rated capacity	105 Ah
Total capacity @100% DoD	5 kWh
Operation voltage range	37.5-54.75 V
Standard charging current	50 A
Standard discharging current	100 A
Depth of discharge	90%
Operating temperature charging	0 to 55° C
Operating temperature discharging	-20 to 55° C
Humidity	< 70%
Weight	45kg ± 200g
Maximum number of batteries in parallel	16
	Over charge
	Under voltage
Device protections	Over temperature
	Over current
	Short circuit
Cell cycle life	≥3000
Warranty <sup>2</sup>	10 years

### Battery Dimensions



Life Cycle  
6000



Battery Chemistry  
LiFePO<sub>4</sub>



Warranty  
10 Years



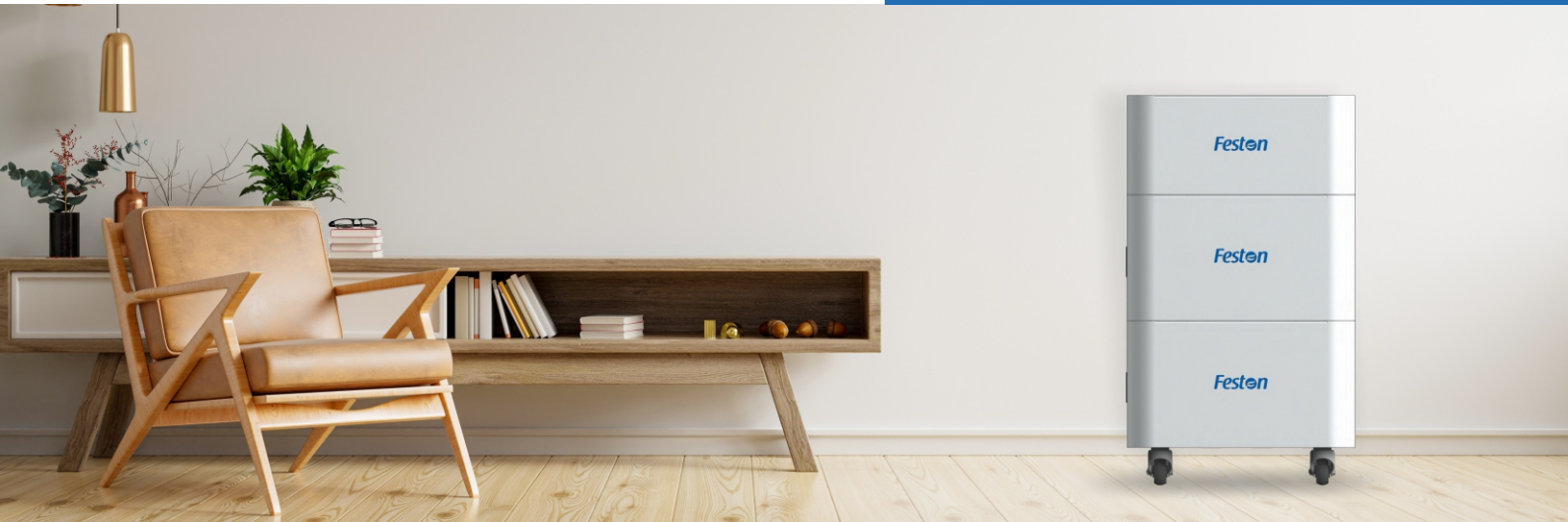
Maintenance  
Free



Depth of  
Discharge 90%



Long  
Lifespan



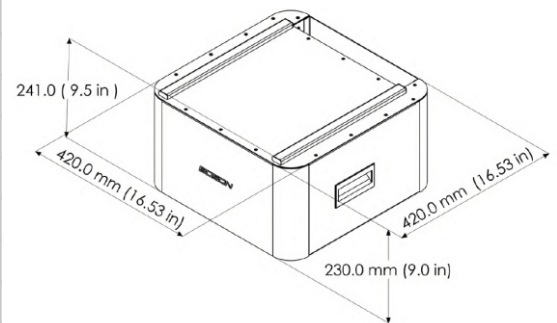
## Technical Specifications

Feston's lithium-ion energy storage solutions provide flexible charging options from either solar or the grid. They efficiently store solar energy, enabling nighttime use or serving as a backup during grid failures. Additionally, these solutions offer a reliable standalone power source for off-grid scenarios.

### Battery Specification

Battery chemistry	LiFePO <sub>4</sub>
Nominal voltage	51.2 VDC
Rated capacity	100 Ah
Total capacity @100% DoD	5.12 kWh
Operation voltage range	40 - 58.4 V
Standard charging current	50 A
Standard discharging current	100 A
Depth of discharge	90%
Operating temperature charging	0 to 55° C
Operating temperature discharging	-20 to 55° C
Humidity	< 70%
Weight	47kg ± 200g
Maximum number of batteries in parallel	16
	Over charge
	Under voltage
Device protections	Over temperature
	Over current
	Short circuit
Cell cycle life	≥3000
Warranty <sup>2</sup>	10 years

### Battery Dimensions



Life Cycle  
6000



Battery Chemistry  
LifePO<sub>4</sub>



Warranty  
10 Years



Maintenance  
Free



Depth of  
Discharge 90%



Long  
Lifespan