



FIMER ELECTRA

DC Station

The FIMER ELECTRA DC station is a charging device for electric vehicles providing both fast DC and AC charging; the best solution when fast charging is required.

60-90-120-150 kW

The FIMER ELECTRA DC station is a new generation device for charging electric vehicles, in both alternating current (AC) and direct current (DC) mode, allowing you to charge up to three vehicles simultaneously and dynamically distribute the total power to the outputs, depending on your needs and the availability of the electricity grid. This flexibility always ensures charging at all available outputs.

Depending on the number of vehicles connected to the DC outputs, the station distributes its maximum power dynamically. For example, assuming that a total of 60 kW are available at the station, two vehicles will be charged with 30 kW each; if one of the two disconnects, the total power of 60 kW is supplied dynamically to the only remaining output.

The same management method is followed for higher power values.

The FIMER ELECTRA is specially designed with a modular architecture, to ensure maximum flexibility and allow upgrading, even after installation. Therefore, a wide range of charging powers, from 60 to 150 kW, and configurations is available.

The maximum total power deliverable by the station is 150 kW for the DC side (60 + 90) and 43 kW for the AC side.

The FIMER ELECTRA is customizable; customers can request an illuminable LED featuring their brand at the bottom of the station.

Technical specifications:

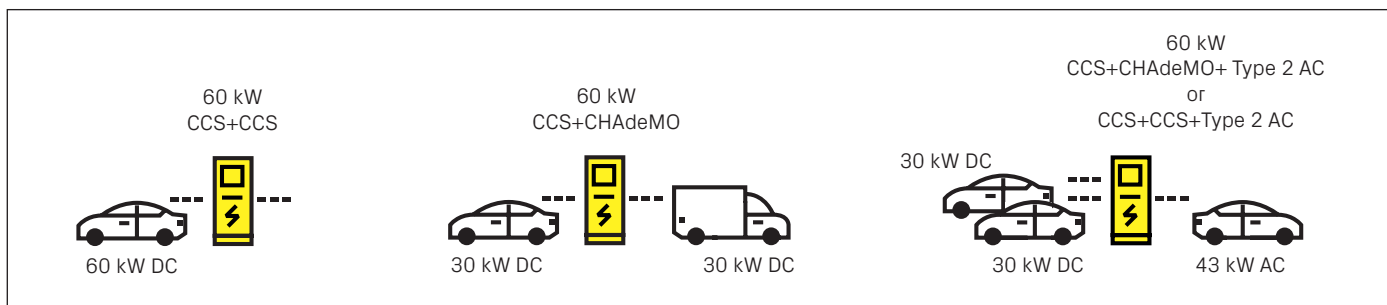
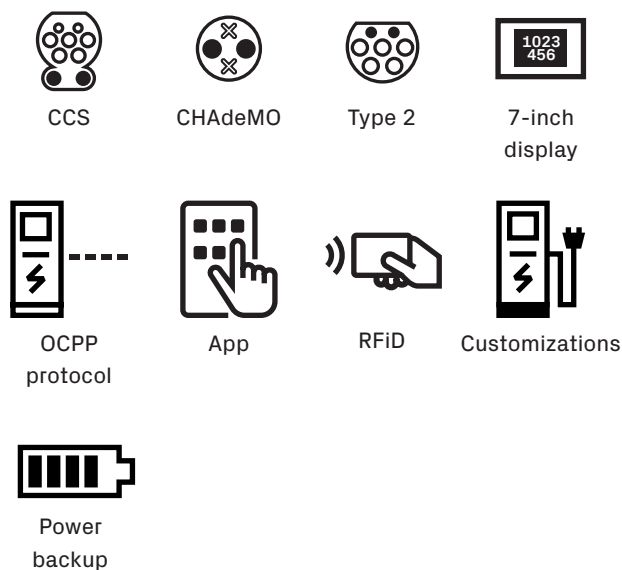
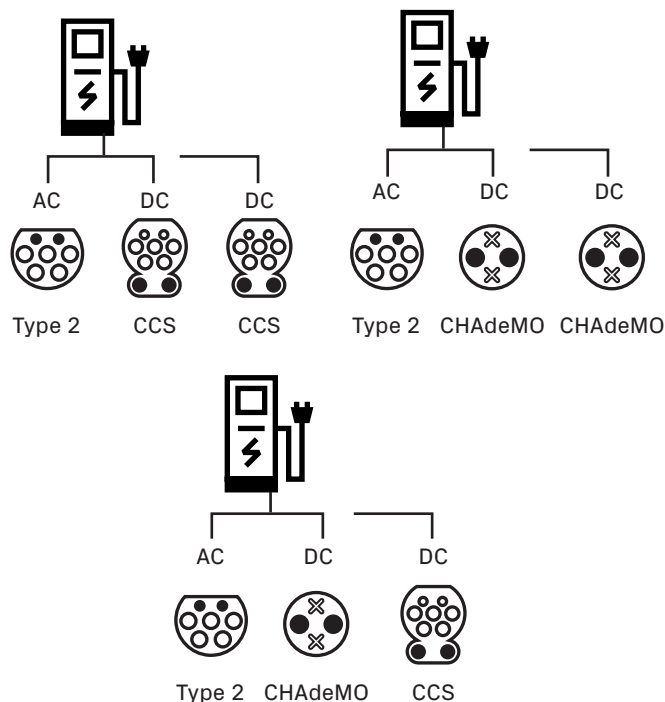
- 3 simultaneous charging sessions (2 DC + 1 AC)
- Modular architecture, from 60 kW – 90 kW – 120 kW – 150 kW
- Dynamic distribution of outgoing DC current load (internal management via data matrix contactor)
- IP54, IK10
- MID Meter Certificate
- Max 95% efficiency

Signals and control

- 7-inch graphical user interface for charging states
- RFID reader
- OCPP 1.6 Json protocol
- Network interface: Ethernet, GSM/3G/4G, WLAN (Optional)

Connector types

- CCS + CHAdeMO + AC connector type 2
- Multiple configuration (CCS2, CHAdeMO and Type2)



The example refers to a charging station with a maximum power of 60 kW. When the power modules increase, the total power of the station (up to 150 kW) and its outputs (up to 60 + 90 kW on each plug) also increase.

Technical data

FIMER ELECTRA DC Station	60kW	90kW	120kW	150kW
Input				
Rated supply voltage	400V AC \pm 10% (3P + N + PE)			
Grounding system type	TT or TN (both with PE)			
Maximum rated power	110kVA	143kVA	176kVA	210kVA
Maximum rated current	159A	207A	255A	304A
Power factor	0.99			
Maximum efficiency	>95%			
THD	<5%			
Frequency	50-60Hz			
Output				
Charging method	Mode 3, Mode 4			
Available outlets	CHAdeMO, CCS2, Type2			
Maximum AC output power Type 2	43kW			
Rated AC output voltage Type 2	400V AC \pm 10%			
Rated AC output current Type 2	63A			
Maximum DC output power CCS	60kW	90kW	120kW	150kW
Rated DC output voltage CCS	150 – 900 VDC			
Maximum DC output current CCS	200A			
Maximum DC output power CHAdeMO	60 kW			
Rated DC output voltage CHAdeMO	150 – 500 VDC			
Maximum DC output current CHAdeMO	125A			
Mechanical data				
Dimensions	690x1850x644 mm			
Charging cable length	3m			
Weight	333 kg	355 kg	378 kg	400 kg
IK protection rating	IK10			
Enclosure material	Galvanised steel			
Degree of pollution	PD3			
Environmental data				
IP protection rating	IP54			
Operating temperature	-25...+50°C			
Storage temperature	-25...+70°C			
Humidity	0...95% (non-condensing)			
Altitude	Up to 2000m (1)			
Connection to the mains	Permanently connected			
Indoor/outdoor installation	Outdoor			
Additional Information				
Product intended for use by	Unskilled person			
Positioning in area with	Non-restricted access			
Fixed or removable installation	Fixed			
Protective measures against electric shock	Class I			
Overvoltage category	IV			
Electrical protection included	RCBO, MCB, SPD			
Energy meter	MID certificate			
Network interface	GSM/3G/4G, Ethernet, WLAN (Optional)			
HMI	LCD display 7" (Buttons for languages selection)			
Supported languages	Italian, English, Spanish, French others on request			
Status LED	Green, red, blue			
OCPP protocol	1.6 Json			
User authentication	ISO / IEC 14443 A/B MIFARE RFID reader			
Remote SW updates by OCPP	•	•	•	•
Simultaneous charging	•	•	•	•
Emergency button	•	•	•	•
Door opening signal	•	•	•	•
Standard	IEC61851-1, IEC61851-21-2, IEC61851-23, IEC61851-24			
Certification	CE, RCM (Australia Certification), UL			

Available codes

Code	EAN	Description	Pmax - DC	Pmax - AC	Rated voltage	Plug 1	Plug 2	Plug 3	User interface
ELS00602CCM700	8033049748727	FIMER ELECTRA DC Station 60kW CHAx2+T2 MIDx2; ELS00602CCM700	60kW	43kW	3P+N+PE 230/400 V AC	T2 cord	CHAdEMO	CHAdEMO	LCD 7"
ELS00602SSM700	8033049748734	FIMER ELECTRA DC Station 60kW CCSx2+T2 MIDx2; ELS00602SSM700	60kW	43kW	3P+N+PE 230/400 V AC	T2 cord	CCS2	CCS2	LCD 7"
ELS00602SCM700	8033049748741	FIMER ELECTRA DC Station 60kW CHA+CCS+T2 MIDx2; ELS00602SCM700	60kW	43kW	3P+N+PE 230/400 V AC	T2 cord	CHAdEMO	CCS2	LCD 7"
ELS00902CCM700	8033049748758	FIMER ELECTRA DC Station 90kW CHAx2+T2 MIDx2; ELS00902CCM700	90kW	43kW	3P+N+PE 230/400 V AC	T2 cord	CHAdEMO	CHAdEMO	LCD 7"
ELS00902SSM700	8033049748765	FIMER ELECTRA DC Station 90kW CCSx2+T2 MIDx2; ELS00902SSM700	90kW	43kW	3P+N+PE 230/400 V AC	T2 cord	CCS2	CCS2	LCD 7"
ELS00902SCM700	8033049748772	FIMER ELECTRA DC Station 90kW CHA+CCS+T2 MIDx2; ELS00902SCM700	90kW	43kW	3P+N+PE 230/400 V AC	T2 cord	CHAdEMO	CCS2	LCD 7"
ELS00122CCM700	8033049748789	FIMER ELECTRA DC Station 120kW CHAx2+T2 MIDx2; ELS00122CCM700	120kW	43kW	3P+N+PE 230/400 V AC	T2 cord	CHAdEMO	CHAdEMO	LCD 7"
ELS00122SSM700	8033049748796	FIMER ELECTRA DC Station 120kW CCSx2+T2 MIDx2; ELS00122SSM700	120kW	43kW	3P+N+PE 230/400 V AC	T2 cord	CCS2	CCS2	LCD 7"
ELS00122SCM700	8033049748802	FIMER ELECTRA DC Station 120kW CHA+CCS+T2 MIDx2; ELS00122SCM700	120kW	43kW	3P+N+PE 230/400 V AC	T2 cord	CHAdEMO	CCS2	LCD 7"
ELS00152SSM700	8033049748826	FIMER ELECTRA DC Station 150kW CCSx2+T2 MIDx2; ELS00152SSM700	150kW	43kW	3P+N+PE 230/400 V AC	T2 cord	CCS2	CCS2	LCD 7"
ELS00152SCM700	8033049748833	FIMER ELECTRA DC Station 150kW CHA+CCS+T2 MIDx2; ELS00152SCM700	150kW	43kW	3P+N+PE 230/400 V AC	T2 cord	CHAdEMO	CCS2	LCD 7"



For more information,
please contact a FIMER
representative or visit:

fimer.com

The company reserves the right to make technical changes
or to modify the content of this document without prior
notice. The agreed details concerning purchase orders
apply. FIMER disclaims any responsibility for possible
errors or lack of information herein.

The company reserves all rights to this document, the issues and
the illustrations contained therein. Any reproduction, disclosure to
third parties or use of the contents, in whole or in part, without prior
written permission from FIMER, is prohibited.
Copyright© 2021 FIMER. All rights reserved.

